

# ➤ DryMASTER CheckValve

## Keeps unwanted dripping under control

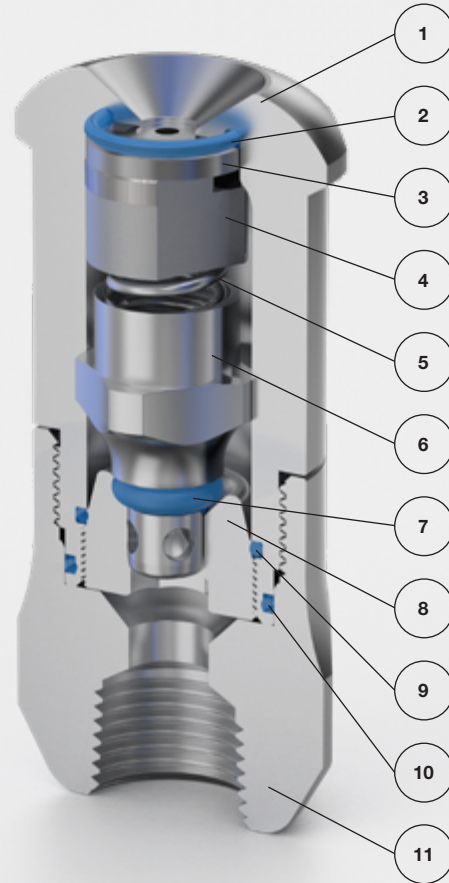
Dripping nozzles can hinder both process reliability and product quality. The DryMASTER CheckValve ensures that „off“ is really „off“. Lechler's DryMASTER CheckValve is designed to open at atomizing pressure, and shut off before the loss of atomization. It reliably prevents dripping due to latent line pressures and the resulting clumping in the end product. Furthermore, the check valve ensures that no flushing medium enters the cooling chamber or the fluid bed.

The compact and reliable DryMASTER CheckValve nozzles can be easily screwed into existing spray lances. Thanks to their sophisticated, hygienic design, they require very little maintenance and are very easy to clean.

### Technical data

- Over 900 orifice disc and swirl chamber combinations
- Flow range: 10–12,000 l/h
- Operating pressure: max. 465 bar at 20 °C (BP 1,000 bar, calculated)
- Operating temperature: max. 250 °C
- Spray angles: 50°–110°
- Droplet size: 30 µm to 220 µm

Additional configurations are available. Please contact the office for operating parameters outside of our published figures. Pressure and temperature charts available to download on our website.



### Options



12



13

### Accessories



14

| No. | Component                                | Material<br>All materials approved by FDA | Order No.                 | Variable                  | Description   |
|-----|--|---|---------------------------|---------------------------|---|
| 1   | DryMASTER CheckValve body                | SS 316L                                   | <b>2DM.CV0.1Y.00.01.0</b> |                           |   |
| 2   | O-ring for orifice disc                  | FDA FKM                                   | <b>095.015.79.12.22.0</b> |                           | Included in seal kit (item 14)  |
| 3   | DryMASTER orifice disc<br>Ø 0.40–5.60 mm | WNC carbide                               | <b>2DM.xxx.27.00.00.0</b> | xxx                       | In the order number xxx marks the diameter. It ranges from 0.40 to 5.60 mm in 0.05 mm increments.<br>Example: an orifice disc with a diameter of 4.55 mm would be <b>2DM.455.27.00.00.0</b><br>Other sizes available on request |
| 4   | DryMASTER swirl chamber                  | WNC carbide                               | <b>2DM.SCx.27.00.00.0</b> | x                         | Swirl chamber size A to J for example, SCD  |
| 5   | CheckValve spring                        | SS 302                                    | <b>095.013.15.06.90.0</b> |                           |   |
| 6   | CheckValve seat body                     | SS 316L                                   | <b>2DM.CV0.1Y.00.03.0</b> |                           |   |
| 7   | O-ring for CheckValve seat               | FDA FKM                                   | <b>095.015.79.12.51.0</b> |                           | Included in seal kit (item 14)  |
| 8   | DryMASTER CheckValve retainer            | SS 316L                                   | <b>2DM.CV0.1Y.00.02.0</b> |                           | Threaded retainer to keep internal components positively retained   |
| 9   | O-ring for CheckValve retainer           | FDA FKM                                   | <b>095.015.79.12.57.0</b> |                           | Included in seal kit (item 14)  |
| 10  | O-ring for CheckValve body               | FDA FKM                                   | <b>095.015.79.12.23.0</b> |                           | Included in seal kit (item 14)  |
| 11  | DryMASTER threaded adaptor               | 1/4" BSPT                                 | SS 318LN                  | <b>2DM.A00.B2.CD</b>      | For spray drying lances with threaded connection  |
|     |  | 3/8" BSPT                                 | SS 318LN                  | <b>2DM.A00.B2.CF</b>      |   |
|     |  | 1/2" BSPT                                 | SS 318LN                  | <b>2DM.A00.B2.CH</b>      |   |
|     |  | 3/4" BSPT                                 | SS 318LN                  | <b>2DM.A00.B2.CL</b>      |   |
|     |  | 1/4" NPT                                  | SS 318LN                  | <b>2DM.A00.B2.BD</b>      |   |
|     |  | 3/8" NPT                                  | SS 318LN                  | <b>2DM.A00.B2.BF</b>      |   |
|     |  | 1/2" NPT                                  | SS 318LN                  | <b>2DM.A00.B2.BH</b>      |   |
| 12  | DryMASTER 45° butt weld adaptor          | 1/4" SCH.40                               | SS 318LN                  | <b>2DM.A45.B2.W1.44.0</b> | Adapter with 45°-angled welding inlet connection  |
|     |  | 3/8" SCH.40                               | SS 318LN                  | <b>2DM.A45.B2.W3.84.0</b> |   |
|     |  | 1/2" SCH.40                               | SS 318LN                  | <b>2DM.A45.B2.W1.24.0</b> |   |
|     |  | 3/4" SCH.40                               | SS 318LN                  | <b>2DM.A45.B2.W3.44.0</b> |   |
|     |  | 1/4" SCH.80                               | SS 318LN                  | <b>2DM.A45.B2.W1.48.0</b> |   |
|     |  | 3/8" SCH.80                               | SS 318LN                  | <b>2DM.A45.B2.W3.88.0</b> |   |
|     |  | 1/2" SCH.80                               | SS 318LN                  | <b>2DM.A45.B2.W1.28.0</b> |   |
| 13  | DryMASTER butt weld adaptor              | 1/4" SCH.40                               | SS 318LN                  | <b>2DM.A00.B2.W1.44.0</b> | Adapter with butt weld inlet connection   |
|     |  | 3/8" SCH.40                               | SS 318LN                  | <b>2DM.A00.B2.W3.84.0</b> |   |
|     |  | 1/2" SCH.40                               | SS 318LN                  | <b>2DM.A00.B2.W1.24.0</b> |   |
|     |  | 3/4" SCH.40                               | SS 318LN                  | <b>2DM.A00.B2.W3.44.0</b> |   |
|     |  | 1/4" SCH.80                               | SS 318LN                  | <b>2DM.A00.B2.W1.48.0</b> |   |
|     |  | 3/8" SCH.80                               | SS 318LN                  | <b>2DM.A00.B2.W3.88.0</b> |   |
|     |  | 1/2" SCH.80                               | SS 318LN                  | <b>2DM.A00.B2.W1.28.0</b> |   |
| 14  | DryMASTER CheckValve seal kit            | FDA FKM                                   | <b>02D.MSP.79.00.01.0</b> |                           | Seal kit, including 100 O-rings for orifice disc and body (see 2 and 10), 20 pieces CheckValve seat O-ring (see 7), 20 pieces CheckValve retainer O-ring (see 8), food grade grease and disassembly tool                        |

You can order online at [www.lechler.com](http://www.lechler.com) or through your Lechler sales partner.