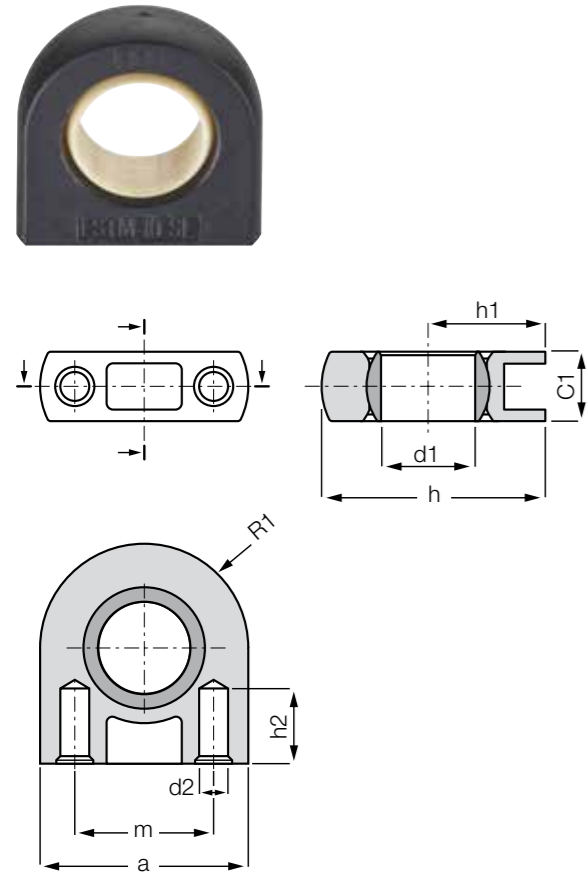


Pillow block bearings Slim Line:  
ESTM SL



Order key

Type	Size [mm]	Version
E STM- 05 - SL - M3		
E series	Pillow block bearing	Metric
	Inner Ø	Slim Line

**i** Material:  
Housing: igumid G ▶ Page 1654  
Spherical ball: iglidur® J ▶ Page 159

- Extremely light
- Extremely space-saving
- Cost-effective
- Predictable service life
- Maintenance and lubrication-free
- With M3 thread, e. g. ESTM-10-SL-M3
- For self tapping screw with outer diameter 3.5mm
- Dimensional E series according to DIN ISO 12240

**i** Service life calculation online  
▶ [www.igus.eu/igubal-expert](http://www.igus.eu/igubal-expert)

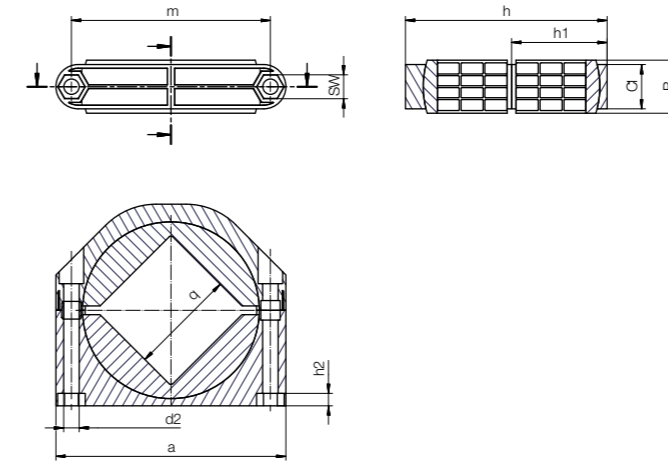
Technical data

Part No.	Max. radial tensile force		Max. radial compressive strength		Max. lateral strength		Max. axial strength		Weight [g]
	Short-term	Long-term	Short-term	Long-term	Short-term	Long-term	Short-term	Long-term	
	[N]	[N]	[N]	[N]	[N]	[N]	[N]	[N]	
ESTM-05-SL-M3	1,500	750	1,400	700	900	450	150	75	1.6
ESTM-06-SL-M3	1,500	750	1,400	700	900	450	150	75	1.7
ESTM-08-SL-M3	1,600	800	1,400	700	950	475	100	50	1.7
ESTM-10-SL-M3	1,600	800	1,400	700	1,000	500	100	50	1.9

Dimensions [mm]

Part No.	d1	d2	h	h1	h2	a	m	C1	R1	Max. pivot angle
ESTM-05-SL-M3	5	2.5	18	10	6.5	16	10	6	8	17°
ESTM-06-SL-M3	6	2.5	18	10	6.5	16	10	6	8	17°
ESTM-08-SL-M3	8	2.5	19	10	6.5	18	12	6	9	17°
ESTM-10-SL-M3	10	2.5	20	10	6.5	20	14	6	10	17°

Split pillow block bearings for square profiles: ESQM



Order key

Type	Size [mm]
E SQ M-110	
E series	Pillow block bearing for square profiles
	Metric
	Edge length

**i** Material:  
Housing: igumid G ▶ Page 1654  
Spherical ball: iglidur® J4 ▶ Page 1652

- Profile 100 x 100mm, 110 x 110mm or 120 x 120mm
- Split version of housing and spherical balls
- Easy assembly and disassembly
- High loads
- Lightweight
- Compensation of misalignment errors
- Mounting: M16 screw
- Recommended tightening torque: 50Nm

Dimensions [mm]

Part No.	q	SW	d2	h	h1	h2	a	m	B	C1	Weight [g]
ESQM-100 <b>New</b>	100.5	24	17.5	228	108	13.6	260	225	60	50	1,295
ESQM-110	110.5	24	17.5	228	108	13.6	260	225	60	50	1,255
ESQM-120	120.0	24	17.5	228	108	13.6	260	225	60	50	1,210