

BBS/VNF

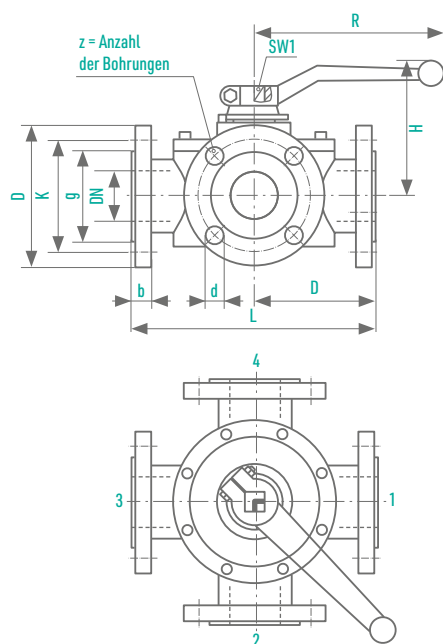
FOUR-WAY -BALL VALVE WITH FLANGES

DN 15-100 | PN 10-40

MATERIALS

Werkstoffe	PN	DN	
Body	10-40	15-20	Steel
		25-100	Ductile iron
Ball	10-40	15-20	Brass, hard chromed
		25-100	Ductile iron, hard chromed
Dichtungen	10-40	15-100	PTFE

Please state Order-No. & Version
VNF L XXX.XXX



INFORMATION

3-Way-Ball Valve with flanges

/// Construction with Zero-Position

/// Flange dimensions DIN 2501 Blatt 1

/// The lever is included

OPTIONS

/// Other shapes of flange sealing surfaces on request.

/// Special designs on request

Connection	DN [mm]	PN [bar]	L [mm]	L1 [mm]	D [mm]	g [mm]	K [mm]	b [mm]	z [mm]	d [mm]	H [mm]	R [mm]	SW1 [mm]	Wght [mm]	Sche-me T	Sche-me L	Sche-me X
															Ord.-No VNF T + ↓	Ord.-No VNF L + ↓	Ord.-No VNF X + ↓
PN 10-16 Raised face																	
15	16	170	85	95	45	65	16	4	14	90	205	16	8,9	016015	016015	016015	
20	16	195	97,5	105	58	75	18	4	14	85	300	16	10,8	016020	016020	016020	
25	16	220	110	115	68	85	18	4	14	95	350	22	14,0	016025	016025	016025	
32	16	240	120	140	78	100	18	4	18	100	350	22	19,2	016032	016032	016032	
40	16	285	142,5	150	88	110	18	4	18	110	350	22	28,0	016040	016040	016040	
50	16	290	145	165	102	125	20	4	18	145	500	22	35,0	016050	016050	016050	
65	16	310	155	185	122	145	22	4	18	155	500	22	47,0	016065	016065	016065	
80	16	350	175	200	138	160	20	8	18	185	600	32	63,0	016080	016080	016080	
100	16	380	190	220	158	180	20	8	18	195	600	32	84,0	016100	016100	016100	
PN 25 Raised face																	
15	25	170	85	95	45	65	16	4	14	90	205	16	8,9	025015	025015	025015	
20	25	195	97,5	105	58	75	18	4	14	85	300	16	10,8	025020	025020	025020	
25	25	220	110	115	68	85	18	4	14	95	350	22	14,0	025025	025025	025025	
32	25	240	120	140	78	100	18	4	18	100	350	22	19,2	025032	025032	025032	
40	25	285	142,5	150	88	110	18	4	18	110	350	22	28,0	025040	025040	025040	
50	25	290	145	165	102	125	20	4	18	145	500	22	35,0	025050	025050	025050	
65	25	310	155	185	122	145	22	8	18	155	500	22	47,0	025065	025065	025065	
PN 40 Raised face																	
15	40	170	85	95	45	65	16	4	14	90	205	16	8,9	040015	040015	040015	
20	40	195	97,5	105	58	75	18	4	14	85	300	16	10,8	040020	040020	040020	
25	40	220	110	115	68	85	18	4	14	95	350	22	14,0	040025	040025	040025	
32	40	240	120	140	78	100	18	4	18	100	350	22	19,2	040032	040032	040032	
40	40	285	142,5	150	88	110	18	4	18	110	350	22	28,0	040040	040040	040040	
50	40	290	145	165	102	125	20	4	18	145	500	22	35,0	040050	040050	040050	